

MICOS

MOTION CONTROL & OPTICS **USA**

[Terms](#) | [Sitemap](#) | [About us](#) | [Contact](#) | [Catalog](#) | [Shows](#) | [News](#) | [Offices](#) | [Partners](#) | [Press Center](#) | [Support](#) | [Team](#) | [Home](#)

MICOS USA • 15375 BARRANCA PARKWAY • STE G101 • IRVINE • CA 92618 • PHONE 949 480 0538 • FAX 949 480 0538

Page

◀ 1.010 ▶ **Hexapod PAROS (2)**

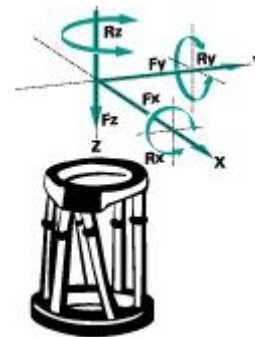
Systems




Key features

- ☐ Six axes **PA**rallel Robot Operating System
- ☐ Travel ranges linear 350 x 350 x 80 mm
- ☐ Travel ranges rotation Rx, Ry 40°, Rz, 100°
- ☐ Maximum speed 30 mm/sec (leg speed)
- ☐ Repeatability in space +/- 5µm
- ☐ High stiffness
- ☐ High dynamic
- ☐ Pivot point can be set by the customer
- ☐ User friendly software
- ☐ Load capacity central 150 kg
- ☐ Including software, controller and amplifiers





FACTS

Load Characteristics	Fx (N)	Fy (N)	Fz (N)
<u>DC-B-025</u> 	400	400	1500
<u>DC-B-060</u>	50	50	200

SOFTWARE

Calculation of one motion path with collision detection

Pivot Point can be set by the customer

Graphic display of the robot from any view

Digital display of position and orientation

Control in Macro-language stored on own editor

Control by 3D-space-mouse possible

Jog mode

Technical data

Travel Range

X,Y (mm)	350 x 350
Z (mm)	80
Rx,Ry (°)	40
Rz (°)	100
VelocityRange (mm/sec)	0.01 ... 30*
VelocityRange (°/sec)	0.001 ... 10
BallscrewPitch (mm)	1

Bi-directional Repeatability (µm)

X,Y	+/- 5
Z	+/- 5

Bi-directional Repeatability (µrad)

Rx,Ry	+/- 75
Rz	+/- 450

Speedmax.

<u>DC-B-025</u>	
X,Y (mm/sec)	2.5*
Z (mm/sec)	2.5*
Rx,Ry (°/sec)	1.5
Rz (°/sec)	8

DC-B-060

X,Y (mm/sec)	30*
Z (mm/sec)	30*
Rx,Ry (°/sec)	15
Rz (°/sec)	30

Current(Amps) | Voltage (Volts)

<u>DC-B-025</u>	0.4 42
<u>DC-B-060</u>	1 30

Material

hardened steel, stainless steel, Aluminium black anodized

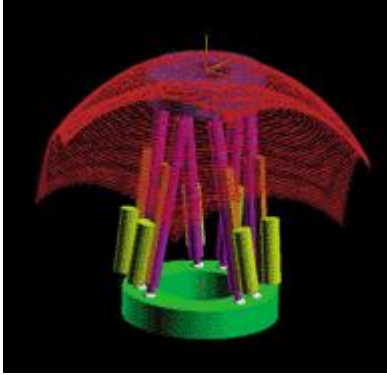
Weight(kg)

21

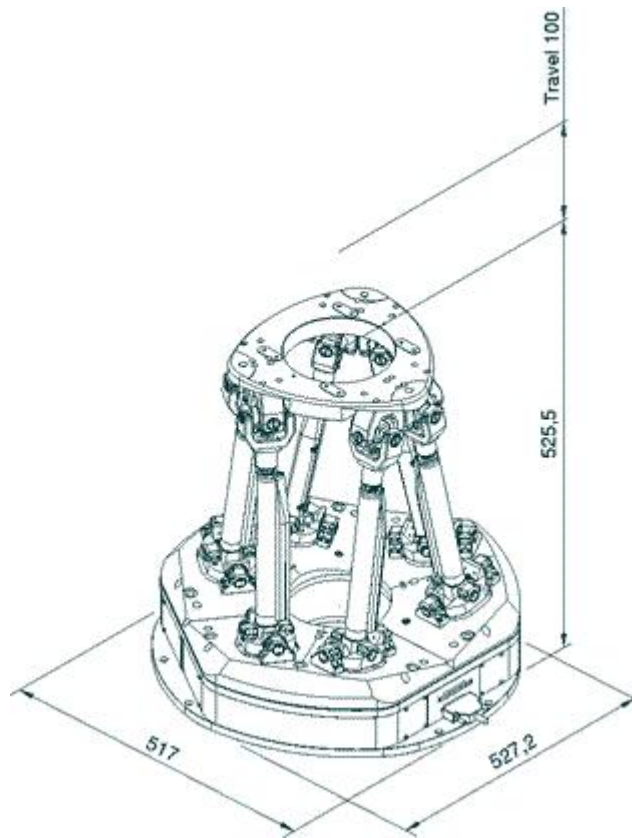
Note: At present with DC-motor - *leg speed

More info: Detailed information, concerning motor and connectors, see: Appendix

Paros System



space
aera

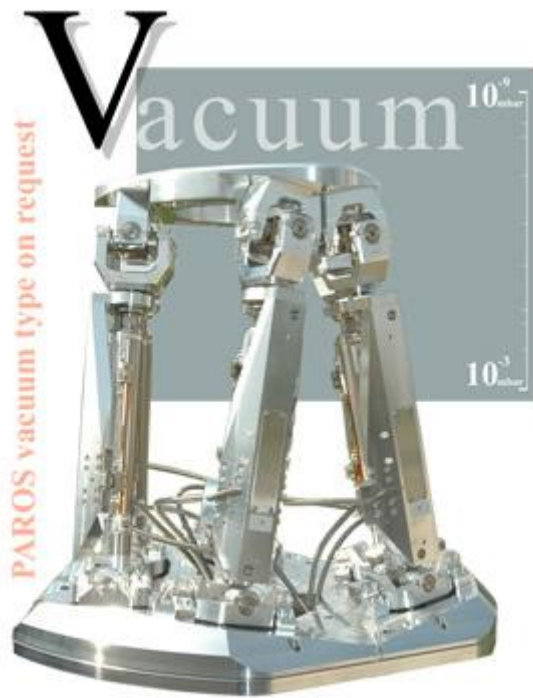


DC-B-025

DC-B-060

PAROS Ordering information

DC-B-025, gear-head 1
DC-B-060, direct-drive 2



6000-9-		0	0
---------	--	---	---

Founded in 1990, MICOS specializes in the development, manufacturing and marketing of ultra-high precision positioning components and systems for research and industry. We are experts in vacuum, ultra-high vacuum, clean room, and extreme climate environments down to 77 Kelvin. ▶▶

[Terms](#) | [Sitemap](#) | [About us](#) | [Contact](#) | [Catalog](#) | [Shows](#) | [News](#) | [Offices](#) | [Partners](#) | [Press Center](#) | [Support](#) | [Team](#) | [Home](#)
MOTION CONTROL = [Systems](#) | [Positioners](#) | [MiniPositioners](#) | [DirectDrives](#) | [Controllers](#) | [ManPositioners](#) | [Accessories](#) | [Vacuum](#)
MAC PhotonX = [Moskito](#) | [Albatros](#) | [Campus](#)

Copyright 2006 © MICOS GmbH